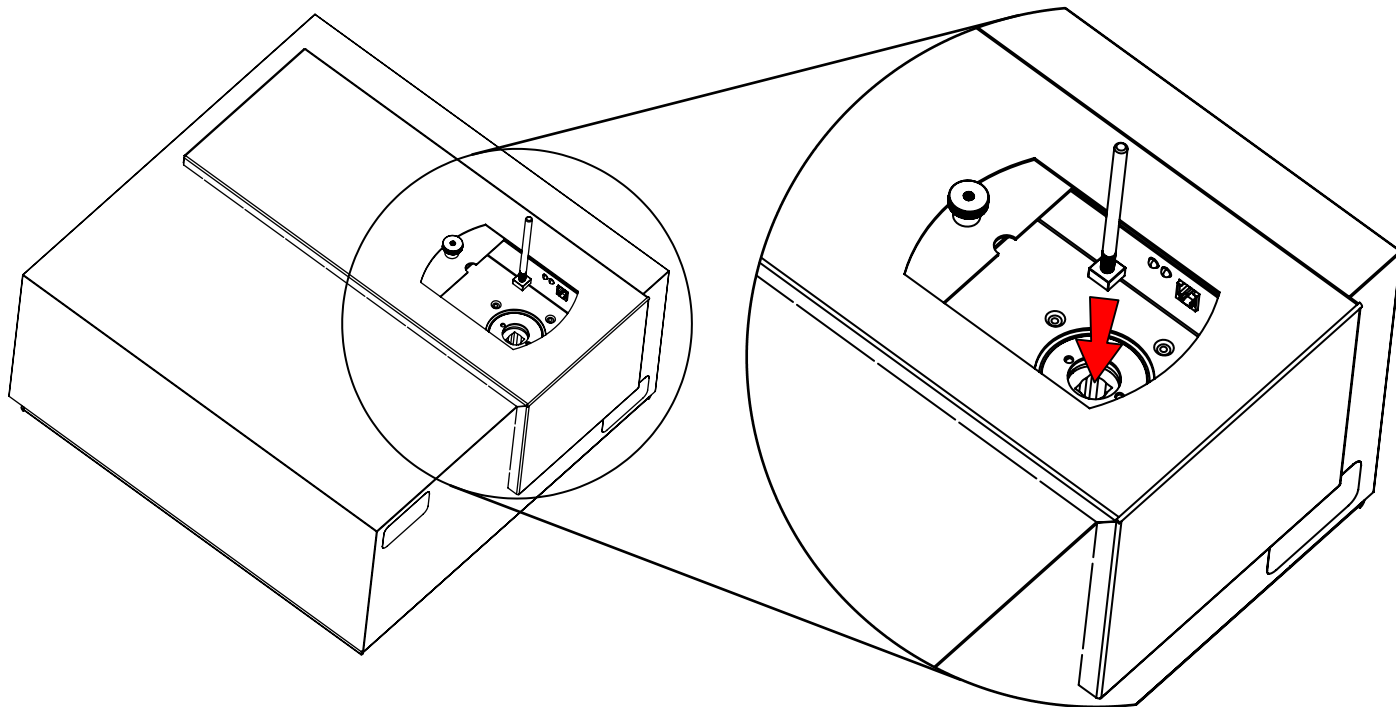


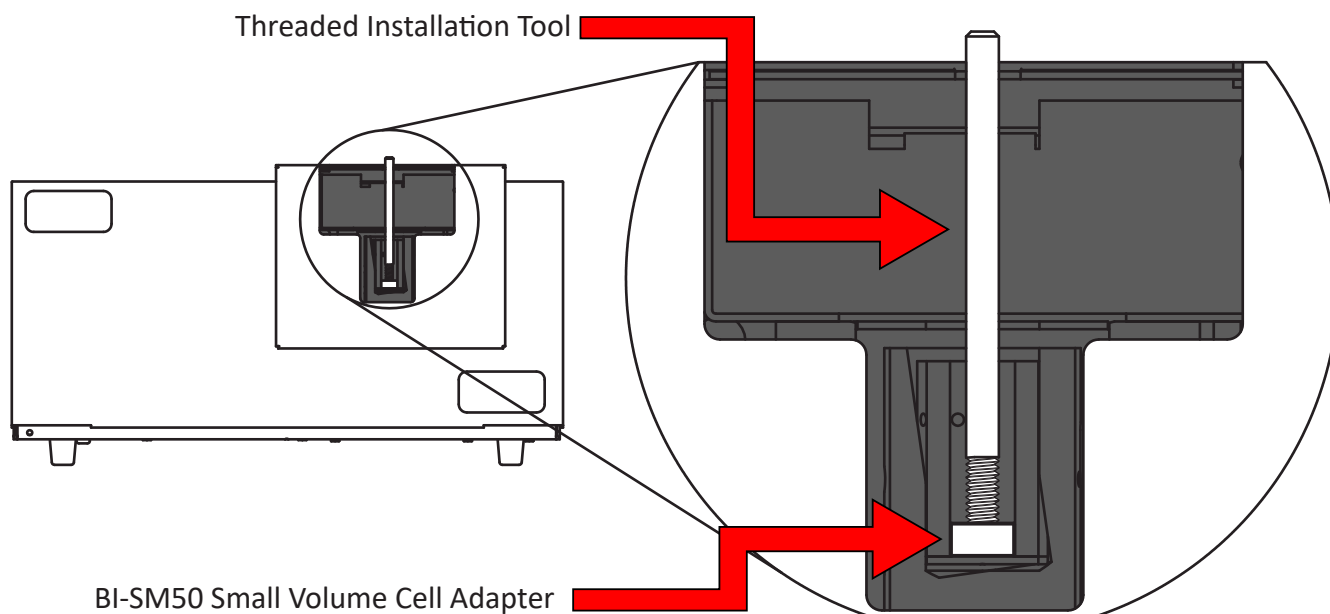
Inserting the BI-SM50A Small Volume Cell Adapter and BI-SM50 Small Volume Cell

NOTE: Ensure cell holder is empty before inserting BI-SM50A and BI-SM50.

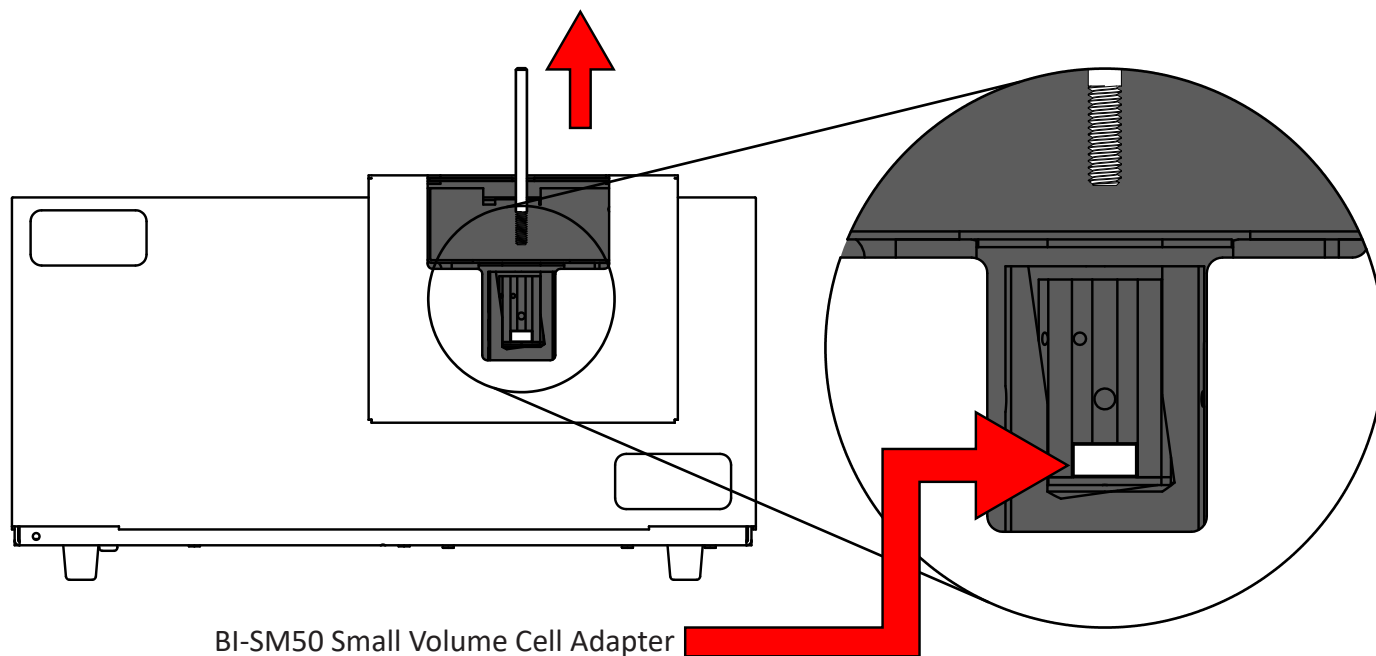
Step 1: Insert the BI-SM50 Small Volume Cell Adapter into the cell holder using the Threaded Installation Tool as shown.



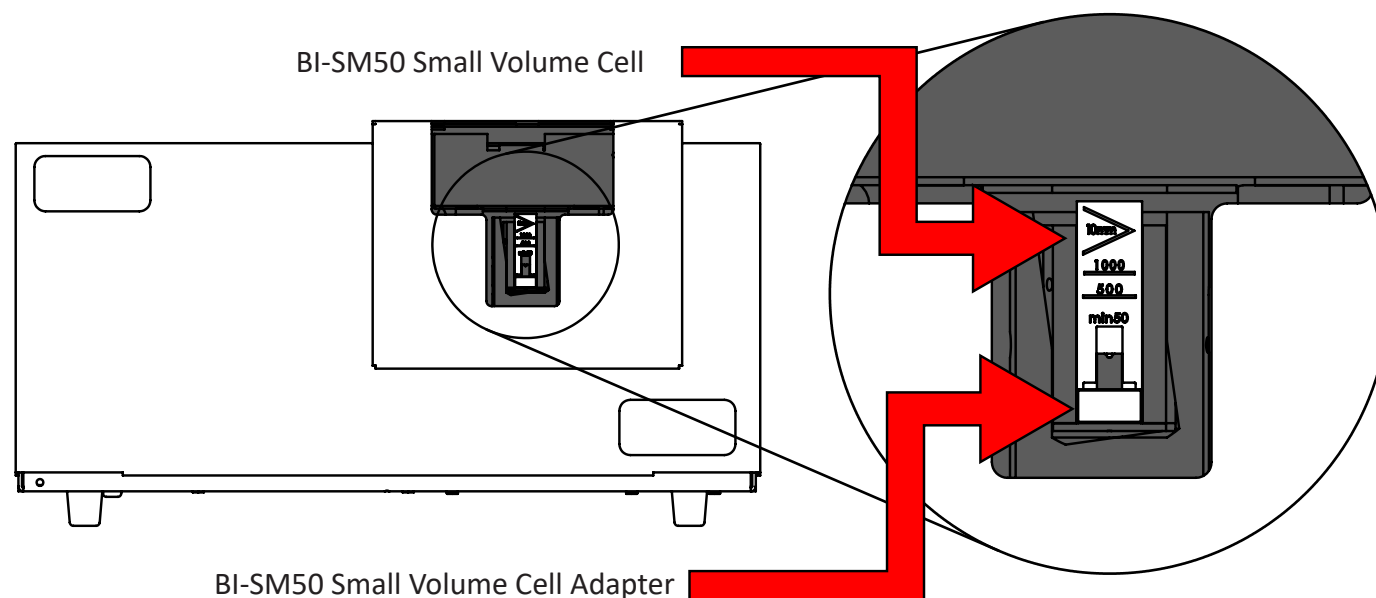
Shown here is a cutaway view of the BI-SM50A inside the cell holder, as seen from the front of the NanoBrook.



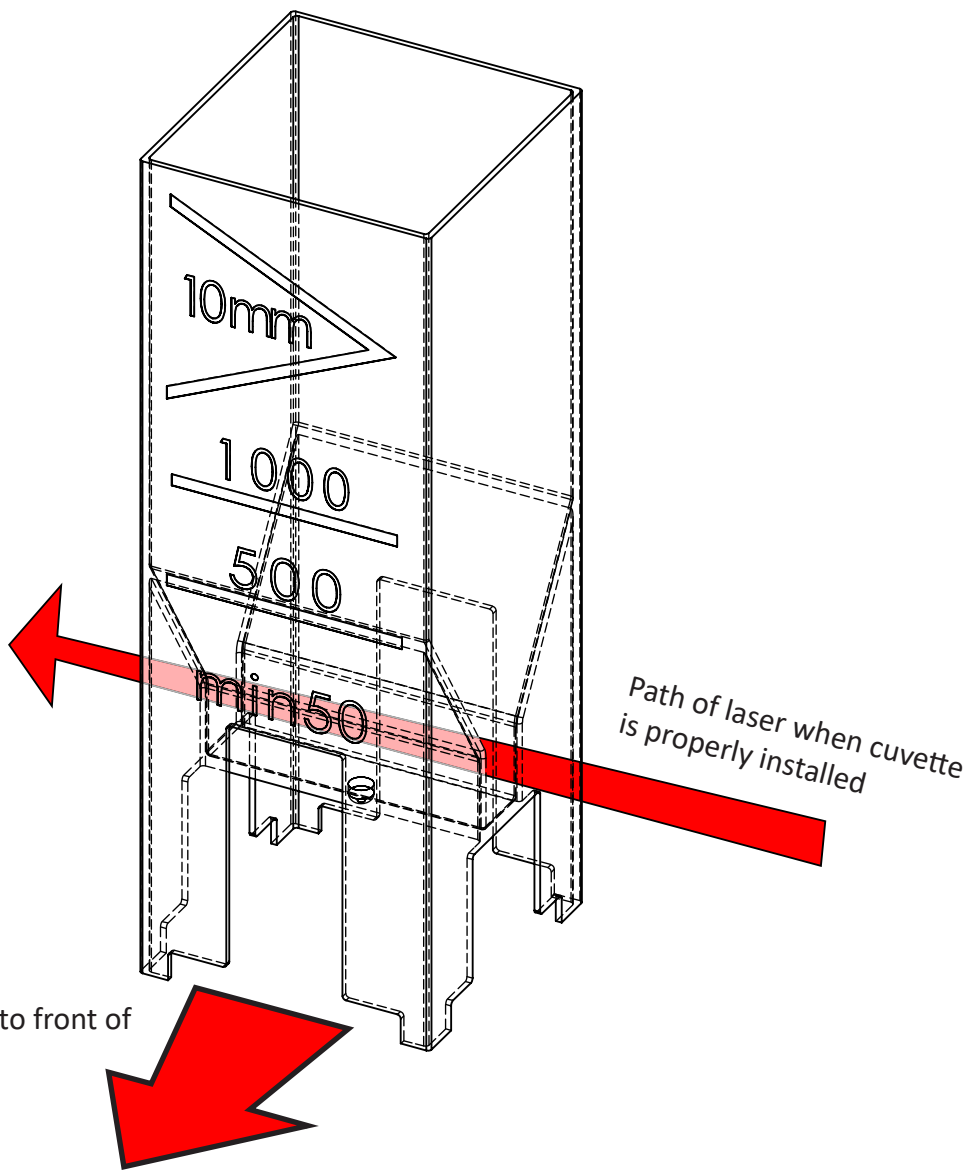
Step 2: Unscrew and remove the threaded installation tool, leaving the adapter flat within the cell holder.



Step 3: Insert the BI-SM50 Small Volume Cell, facing towards the front of the instrument as shown. The BI-SM50 cell should sit flat on top of the adapter.



Detail of proper cuvette orientation:

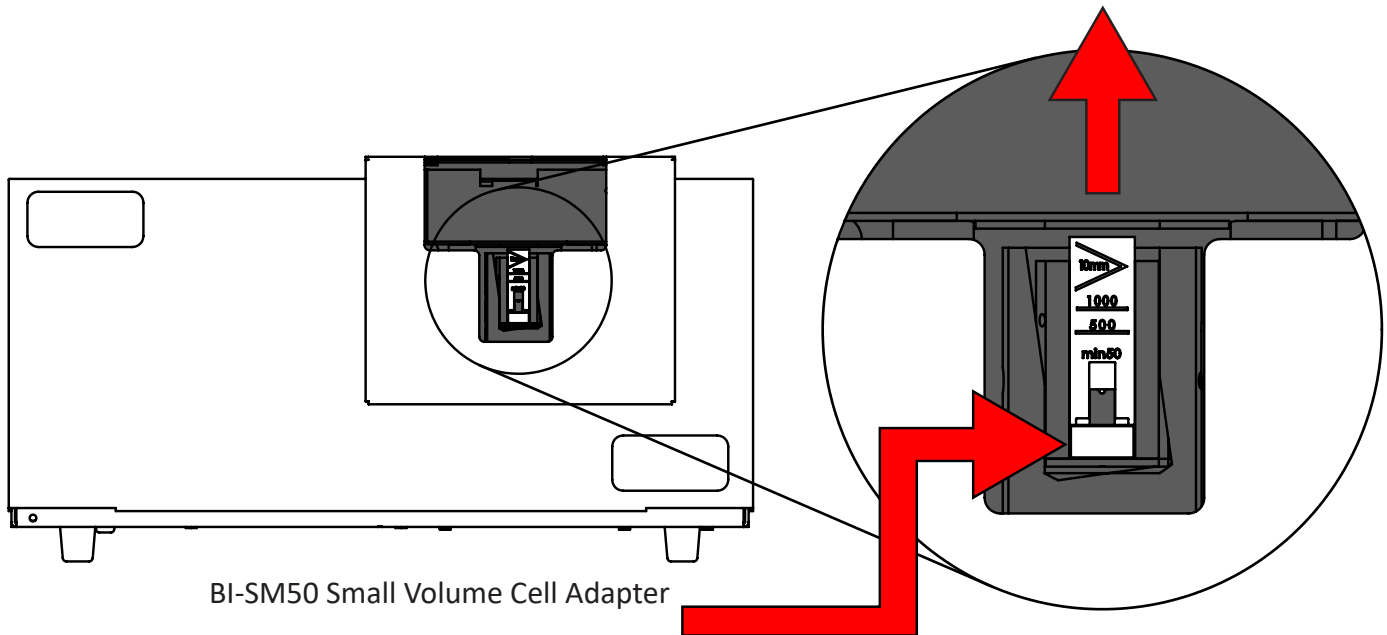


Front of cuvette parallel to front of NanoBrook

Path of laser when cuvette is properly installed

Removing the BI-SM50A Small Volume Cell Adapter

Step 1: Remove the cuvette from the cell holder, leaving only the BI-SM50 Small Volume Cell Adapter.



Step 2: Insert the threaded installation tool into the cell holder. Screw it into the BI-SM50A Small Volume Cell Adapter. Lift the tool out of the cell holder to remove the adapter. The cell holder should be empty when finished.

